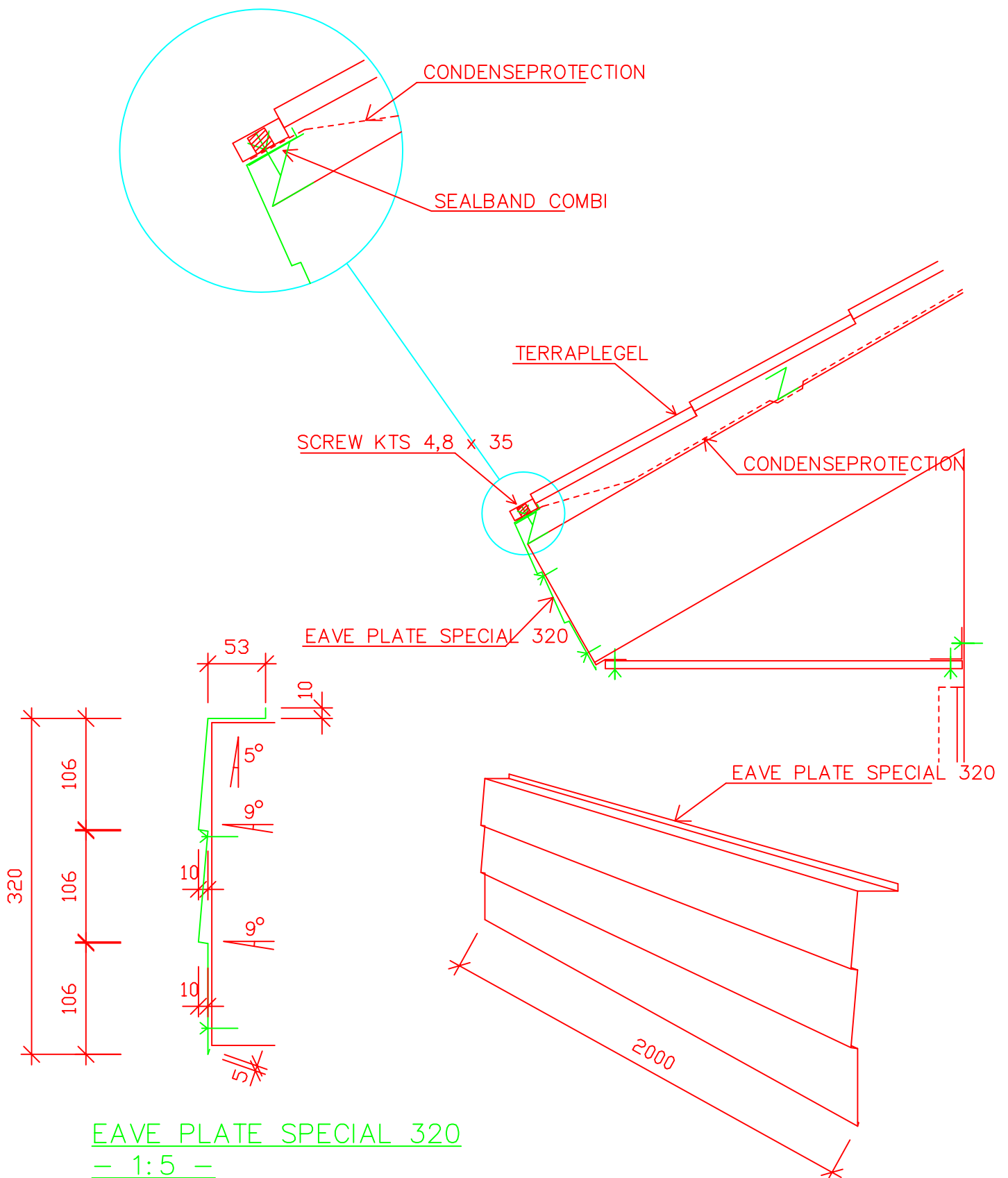


DETAIL

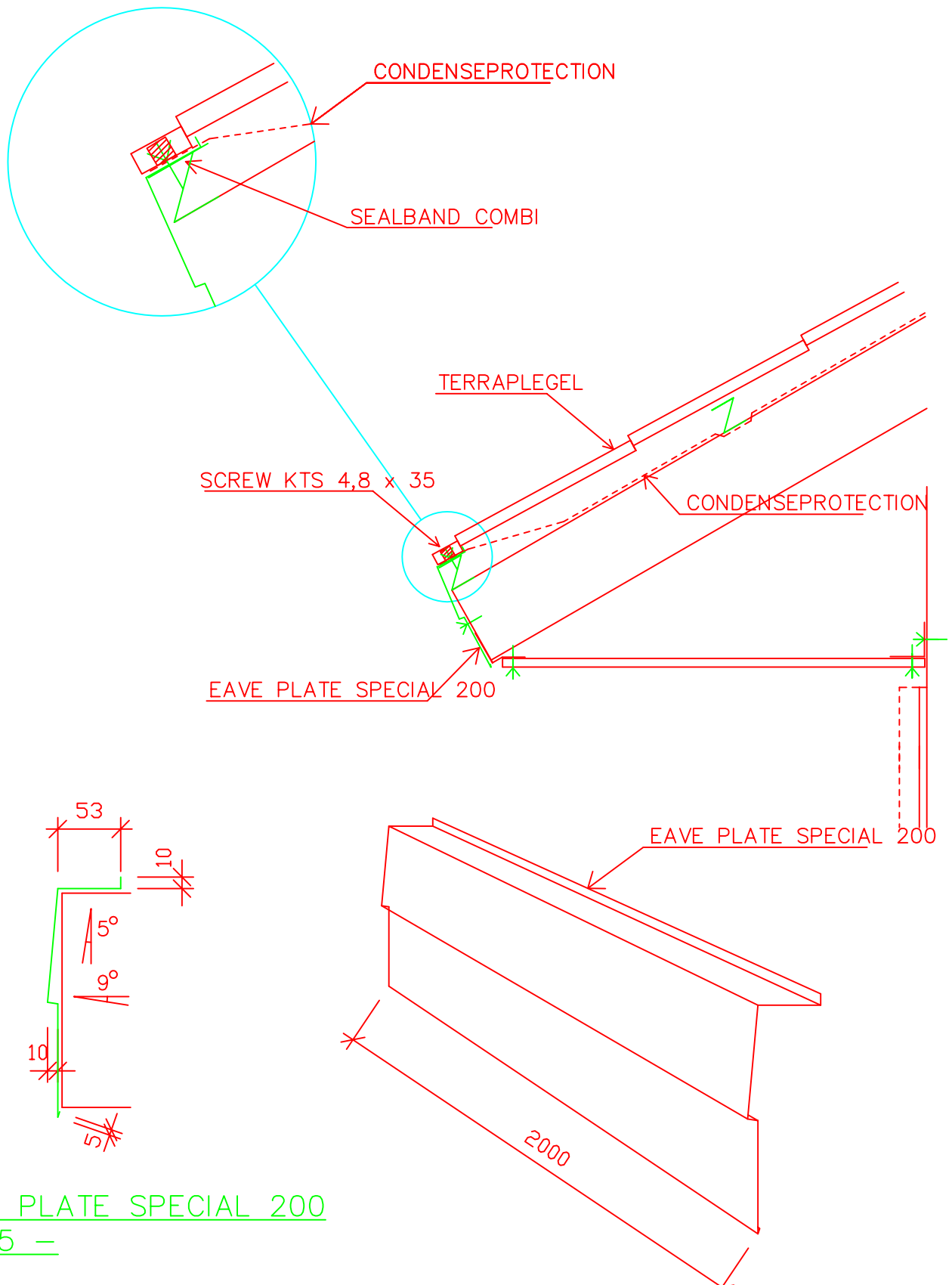
1. EAVE
2. RIDGE
3. HIP RIDGE
4. VALLEY
5. VERGE
6. DOME SIDE
7. DOME FRONT
8. DOME BACK
9. TUBE
10. CHIMNEY
11. SKYLIGHT
12. BATTEN POSITION
13. HIP RIDGE
14. EAVE

DRAWINGS

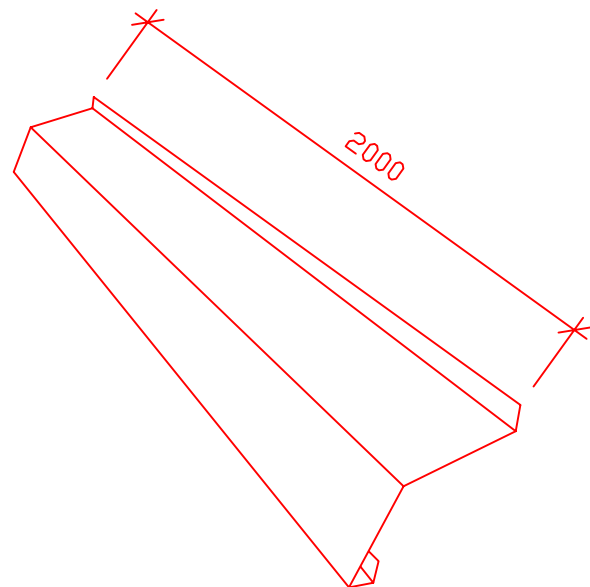
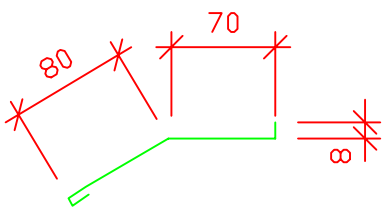
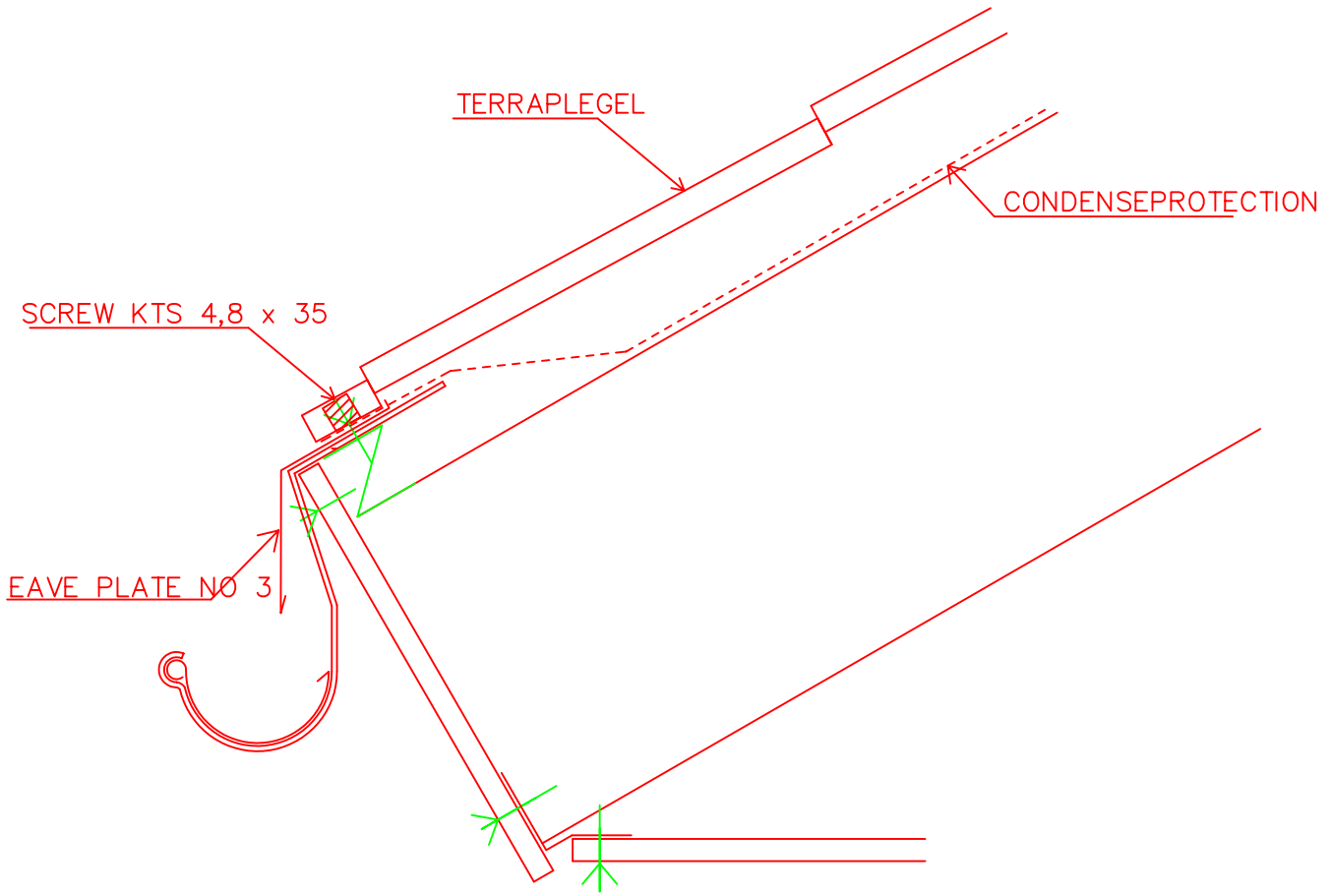
Z.B DETAIL 1A -14A



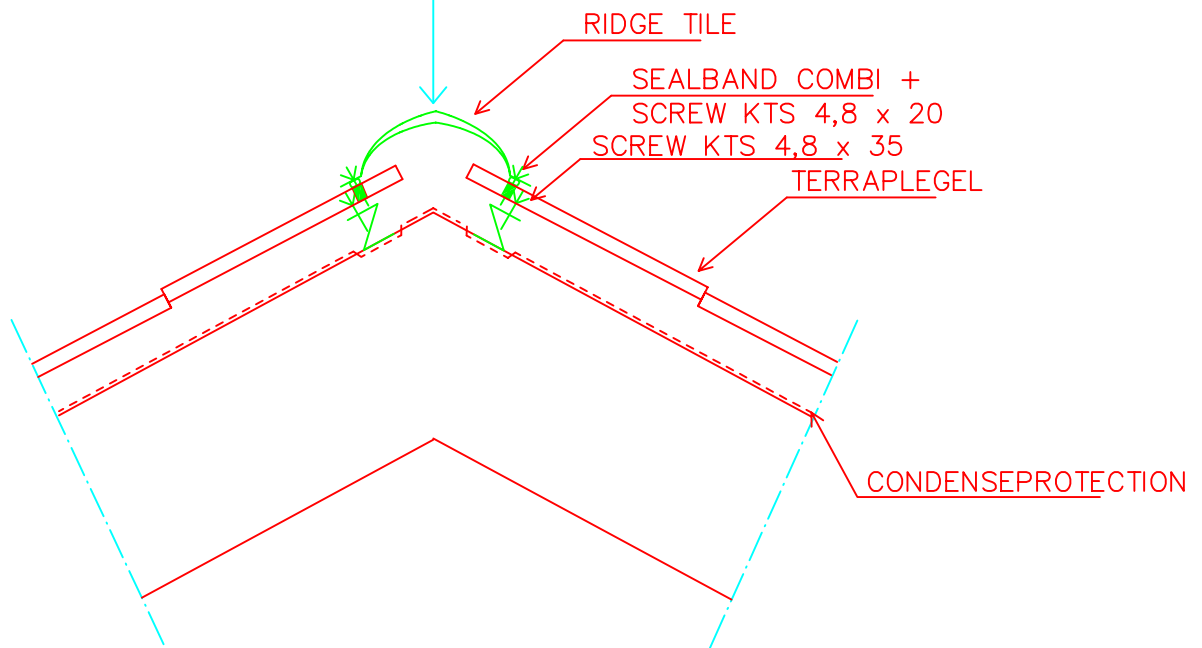
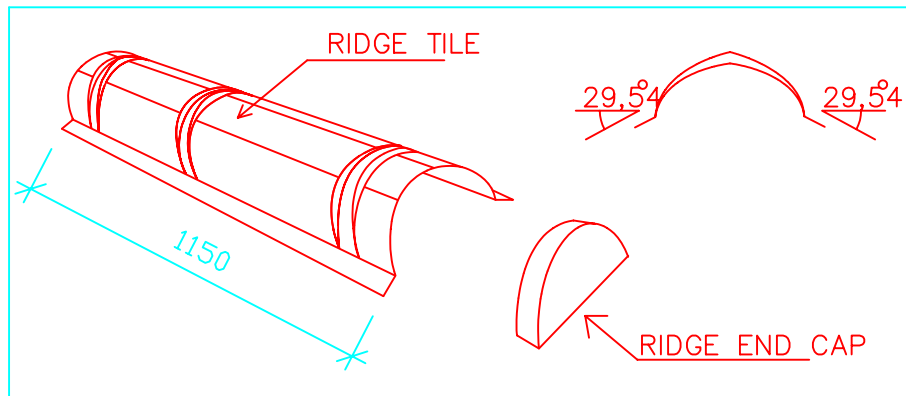
EAVE PLATE SPECIAL 320
- 1:5 -

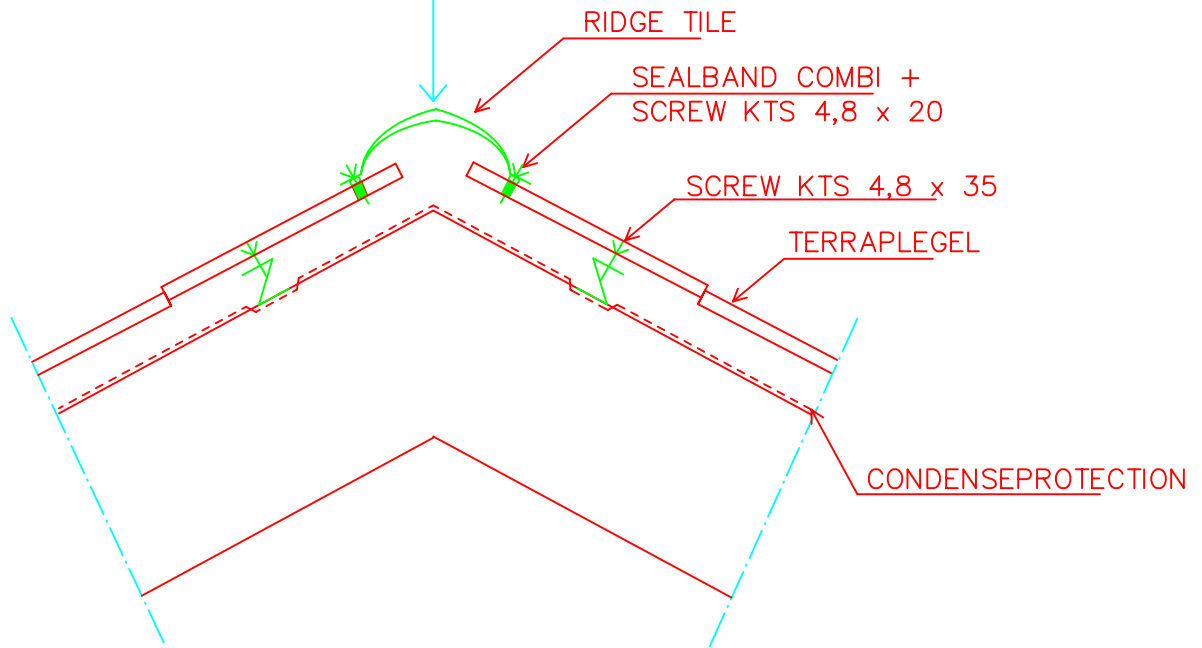
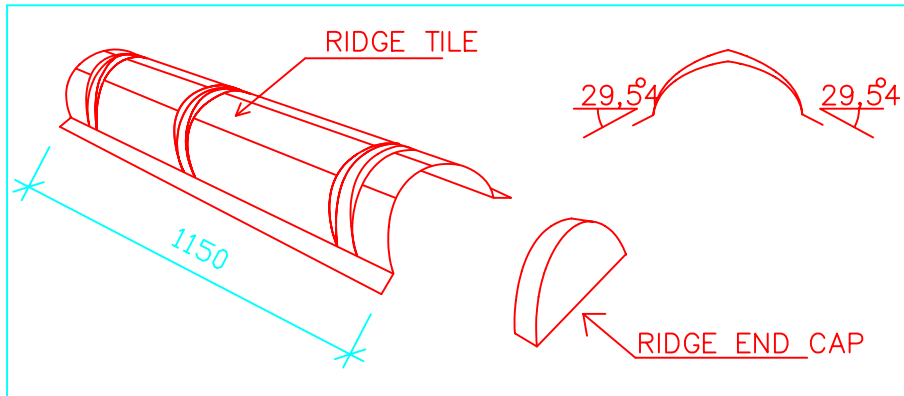


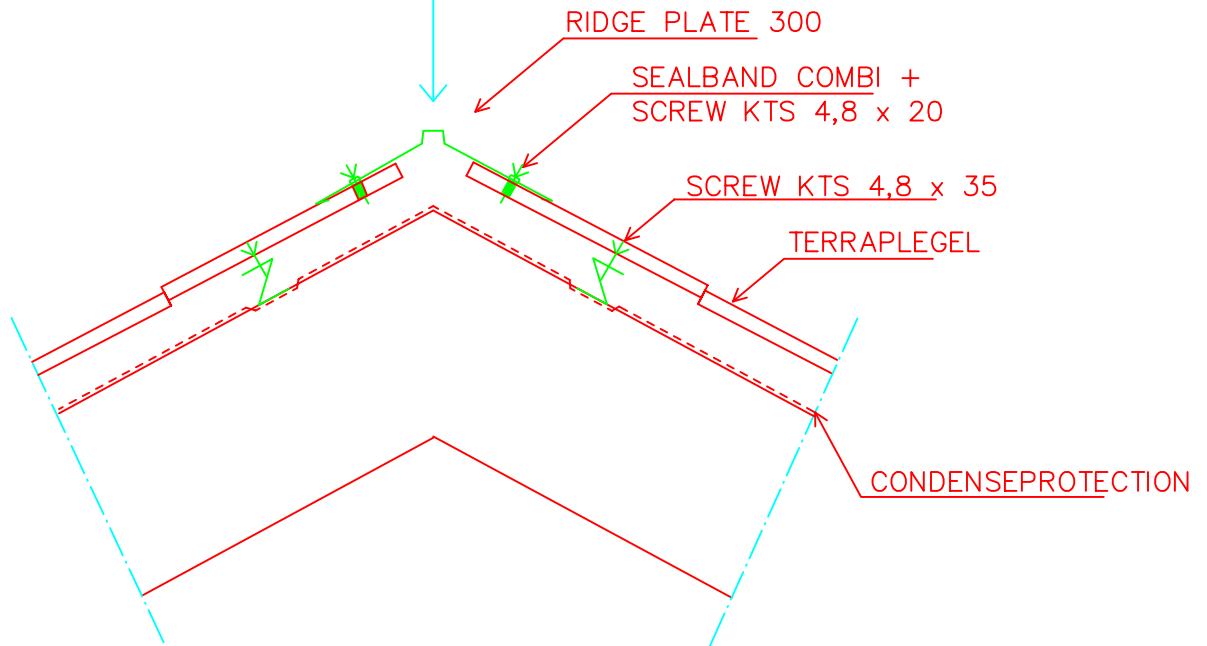
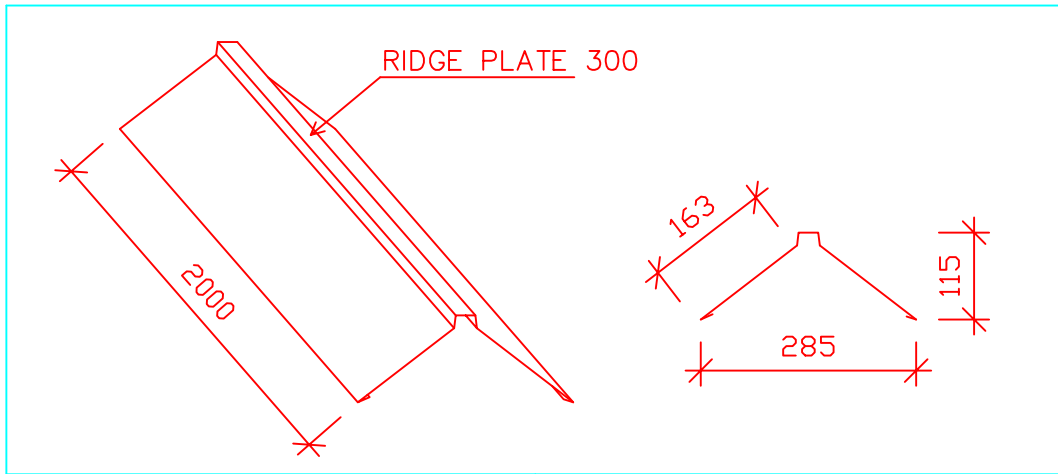
EAVE PLATE SPECIAL 200
- 1:5 -

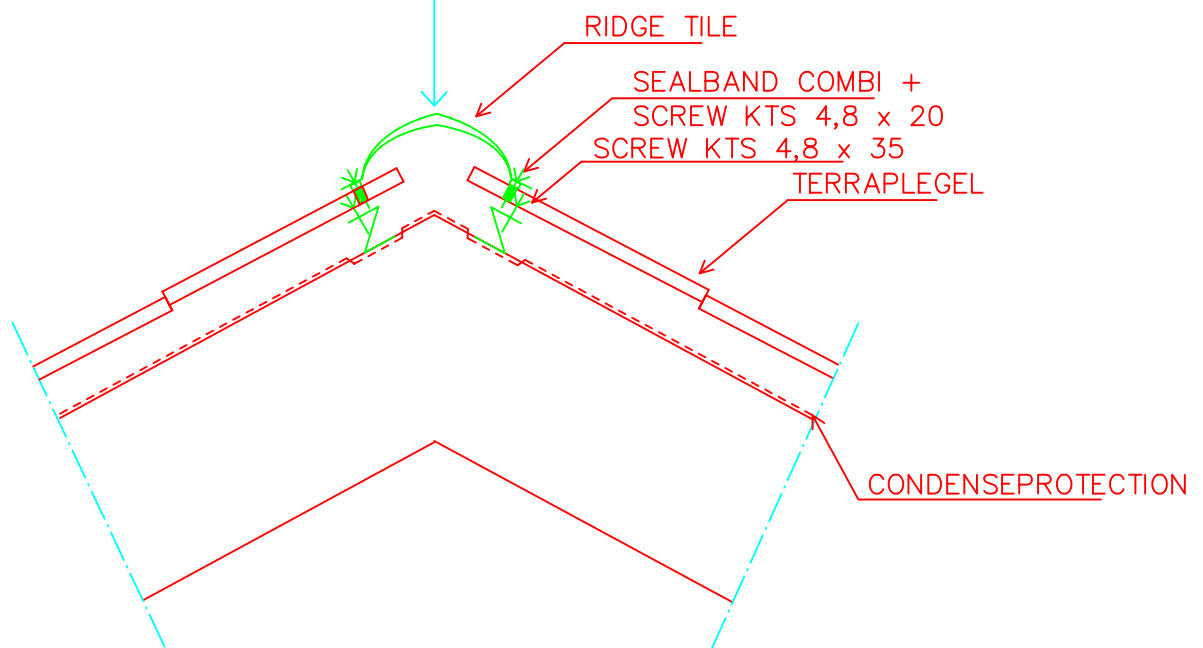
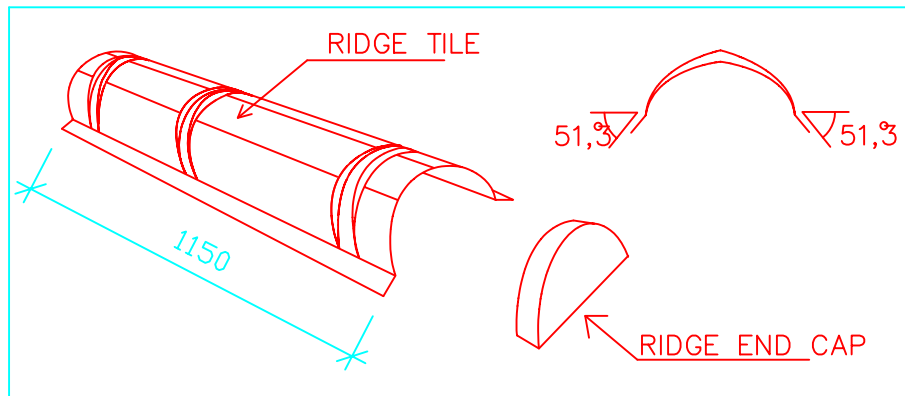


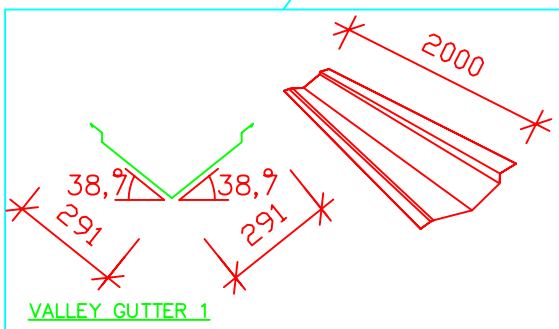
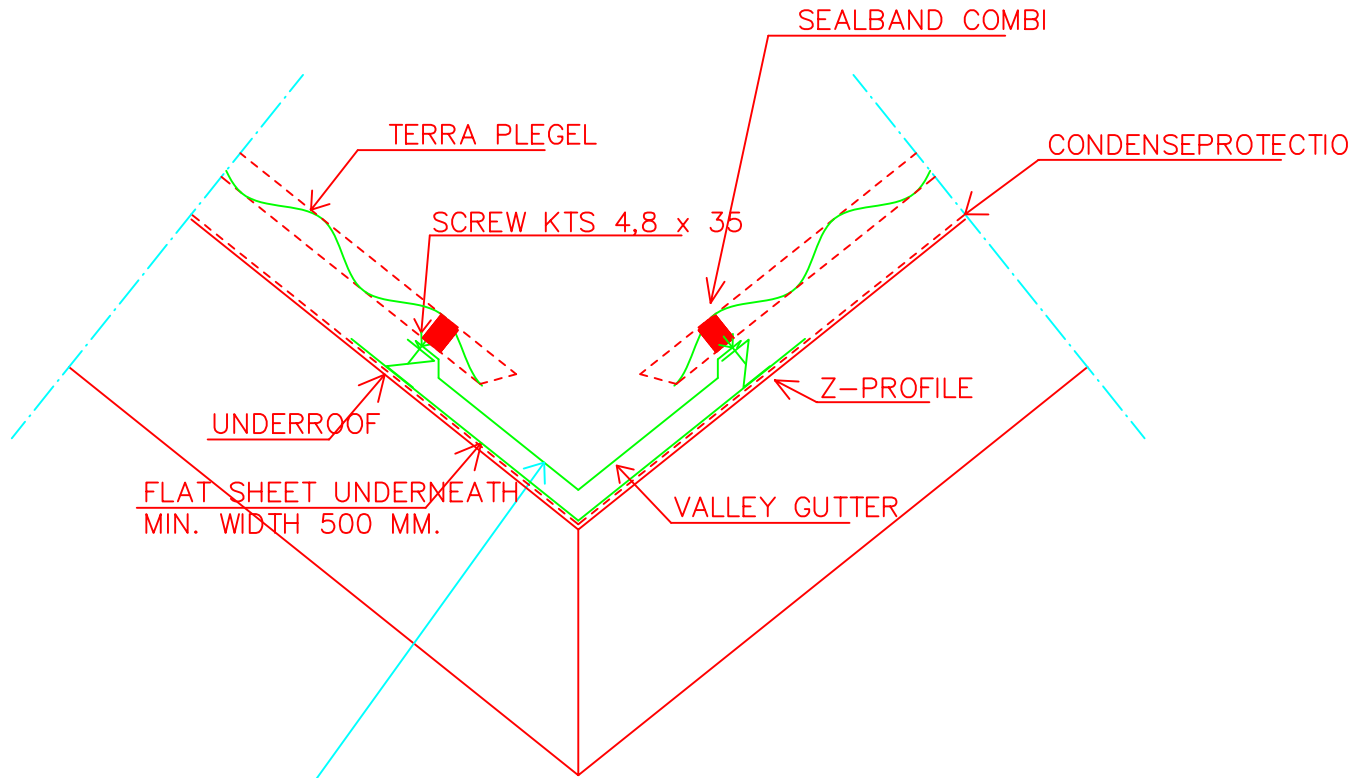
EAVE PLATE NO 3
- 1:5 -

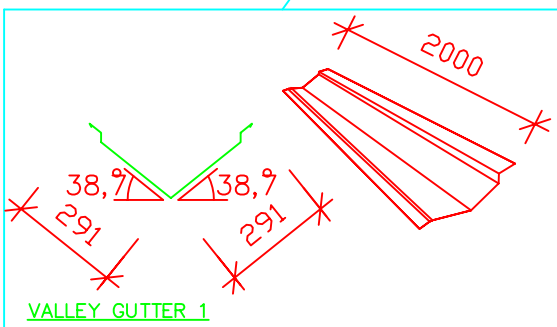
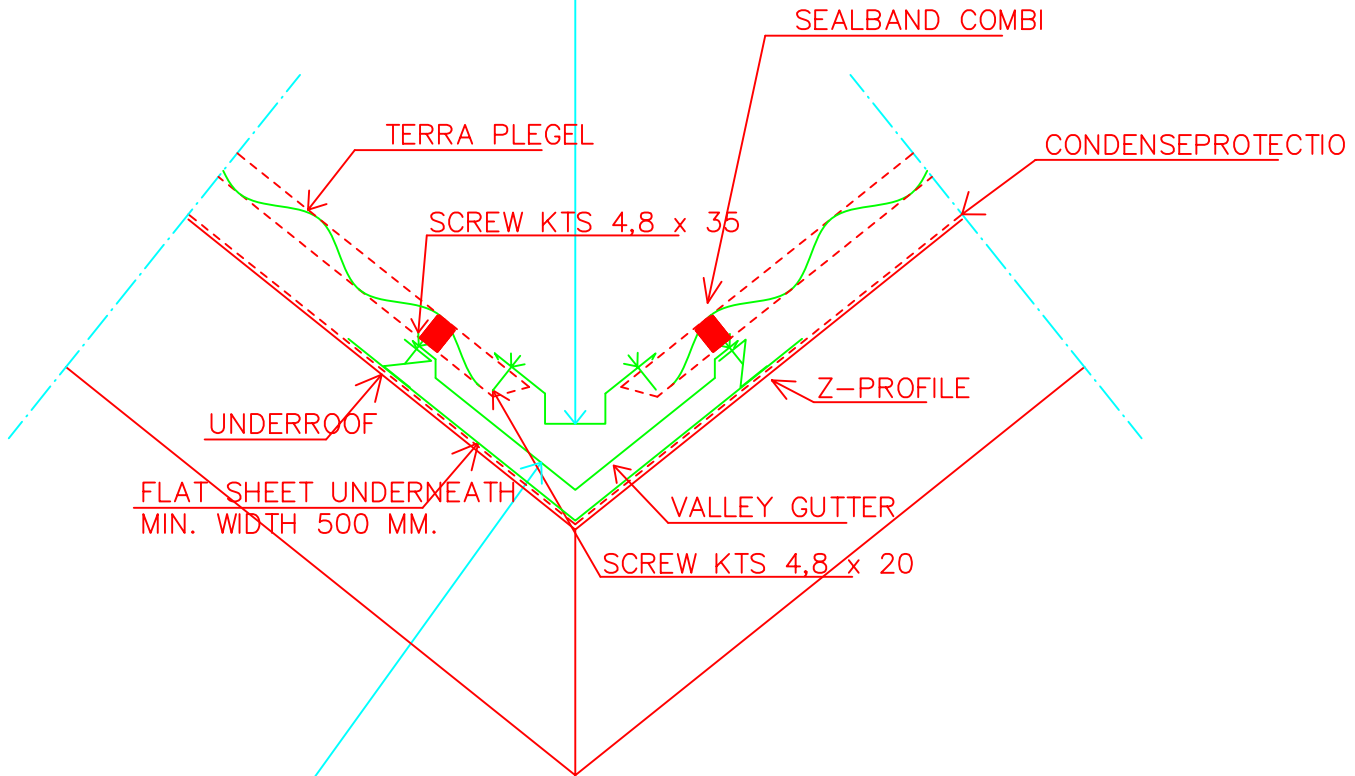
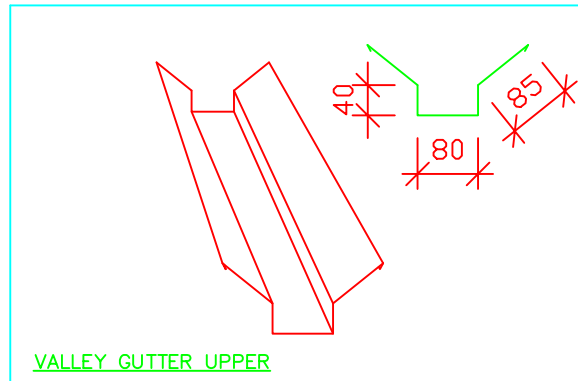


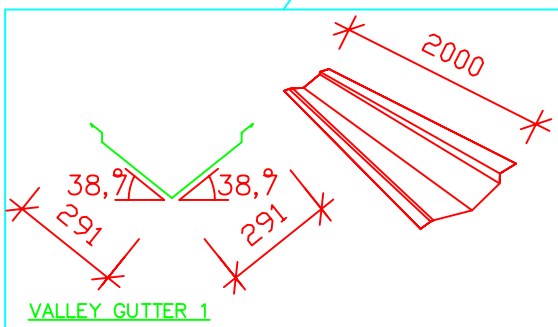
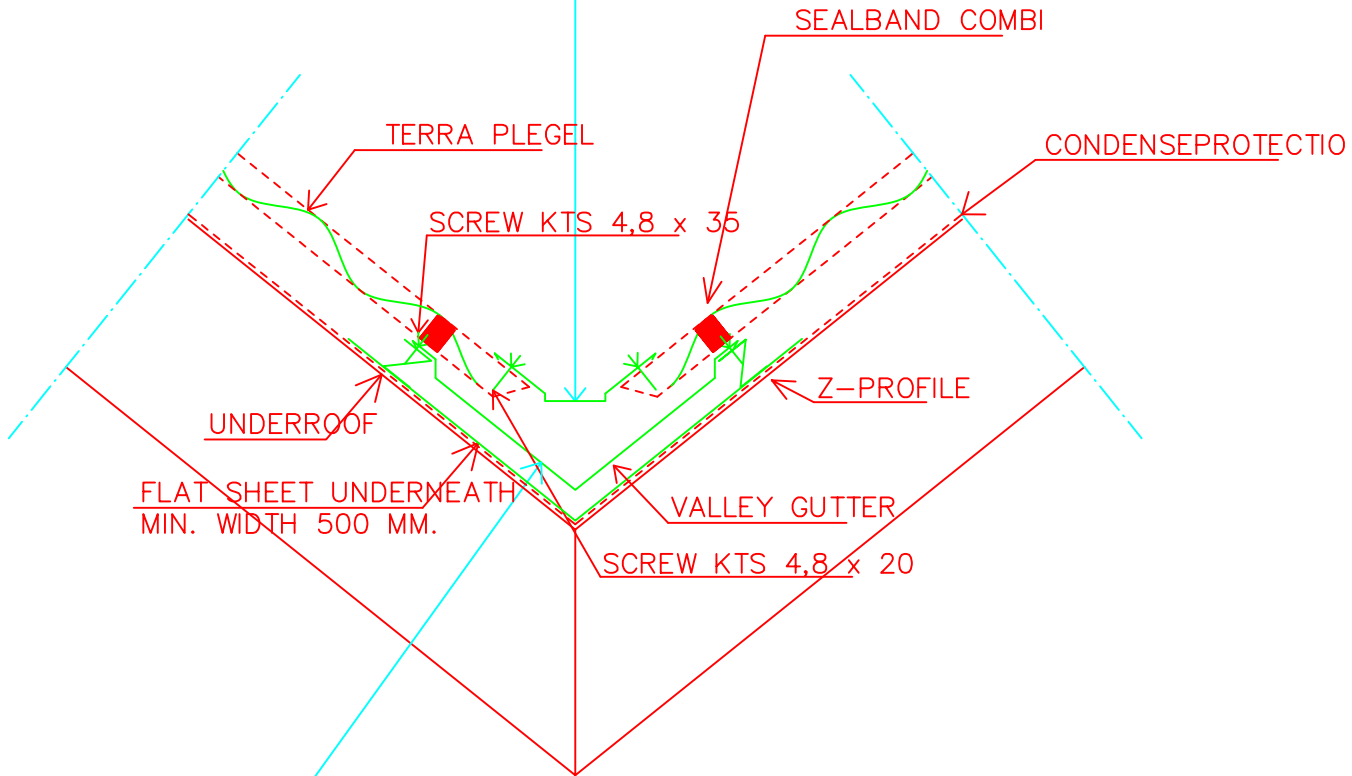
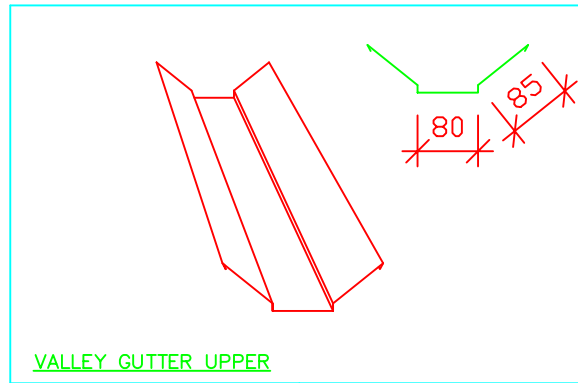


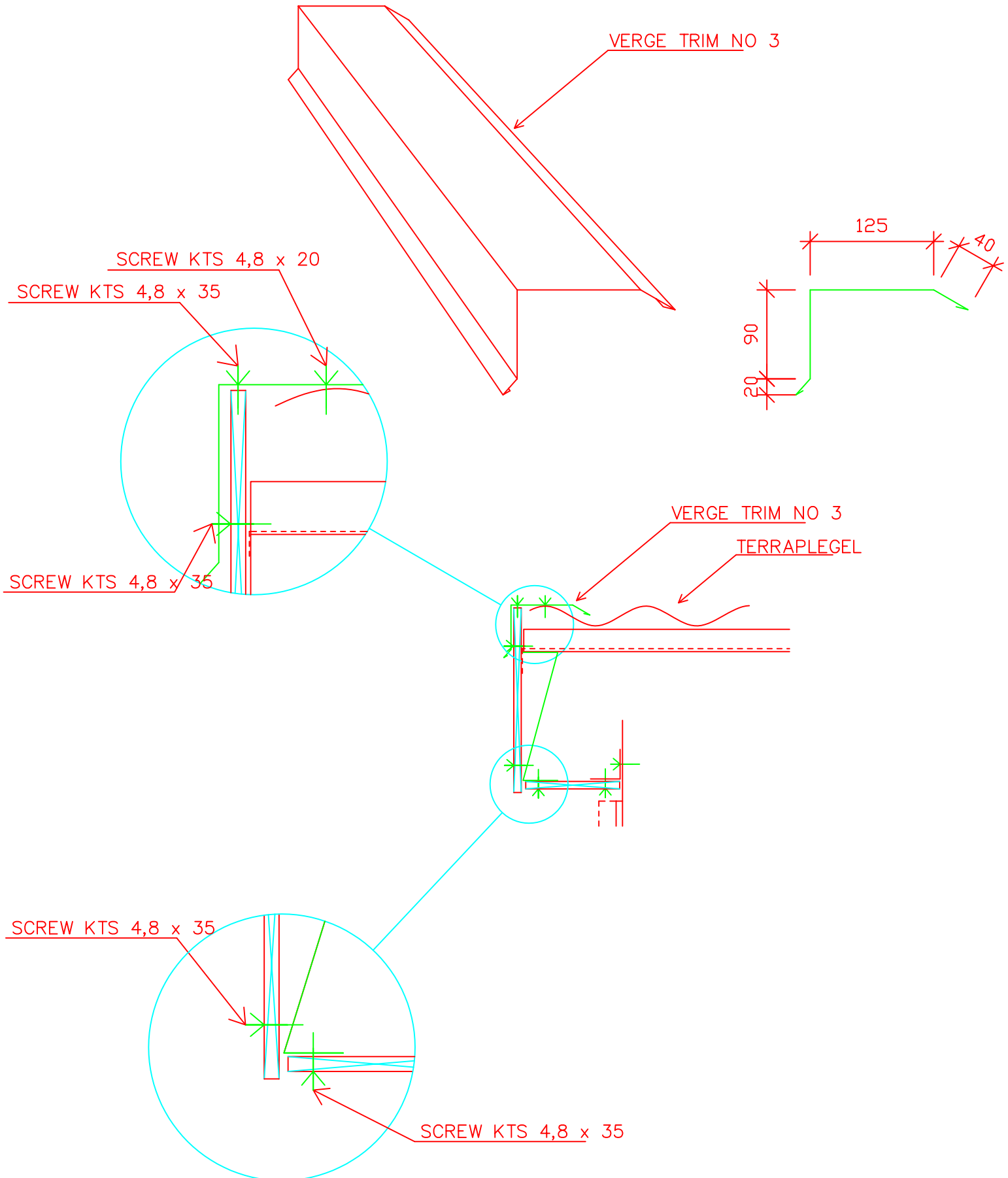


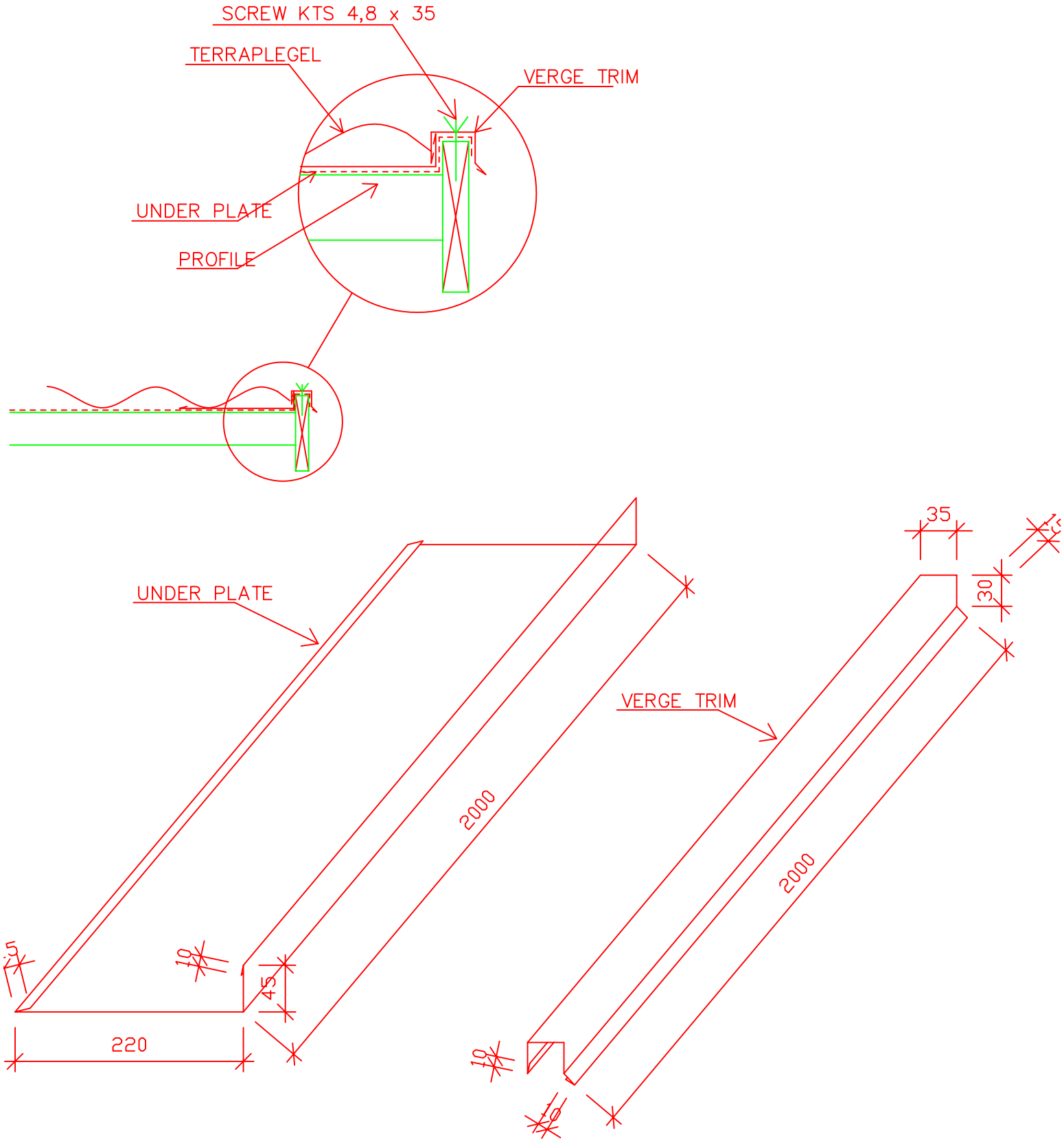


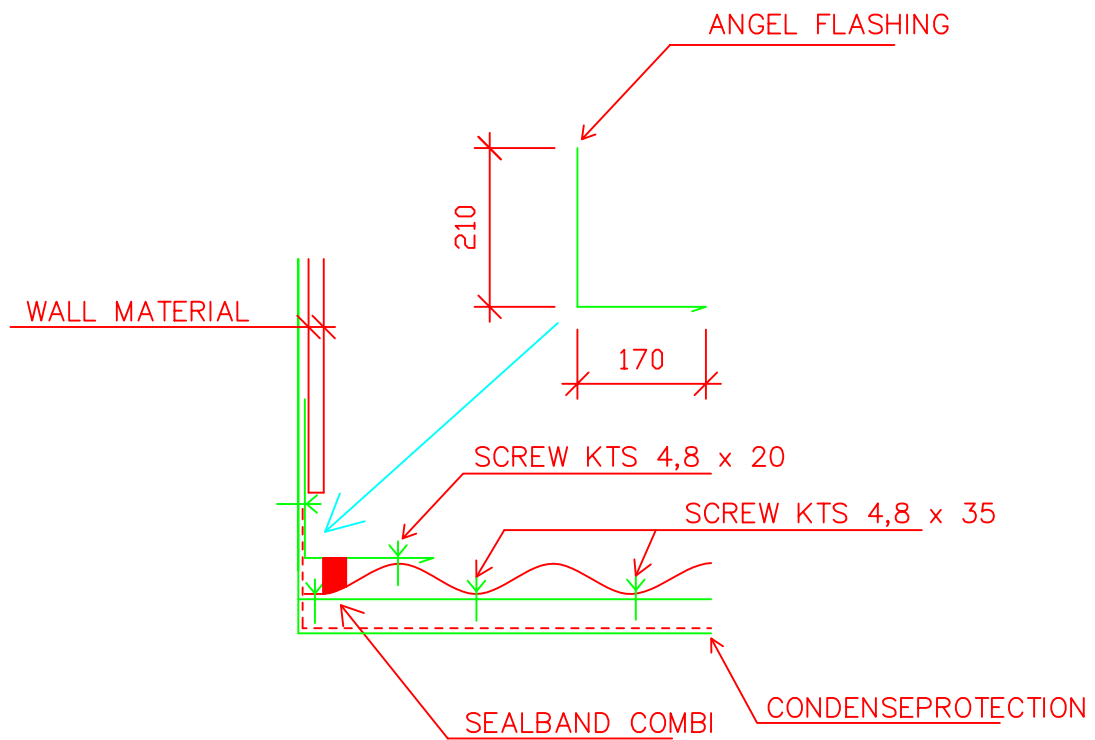
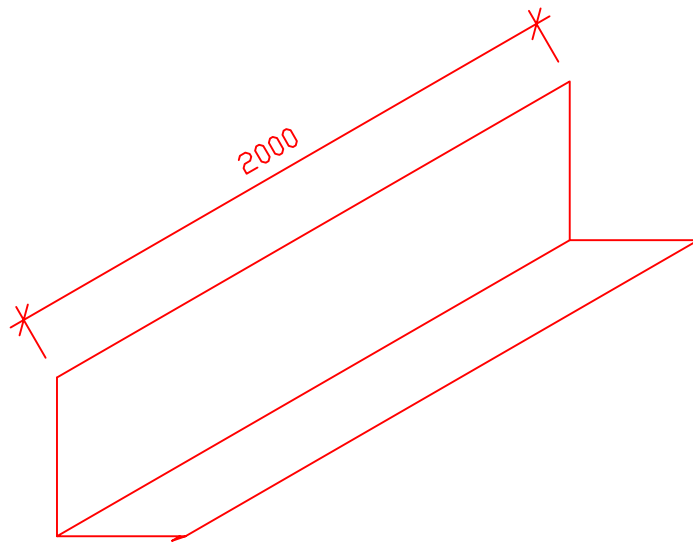


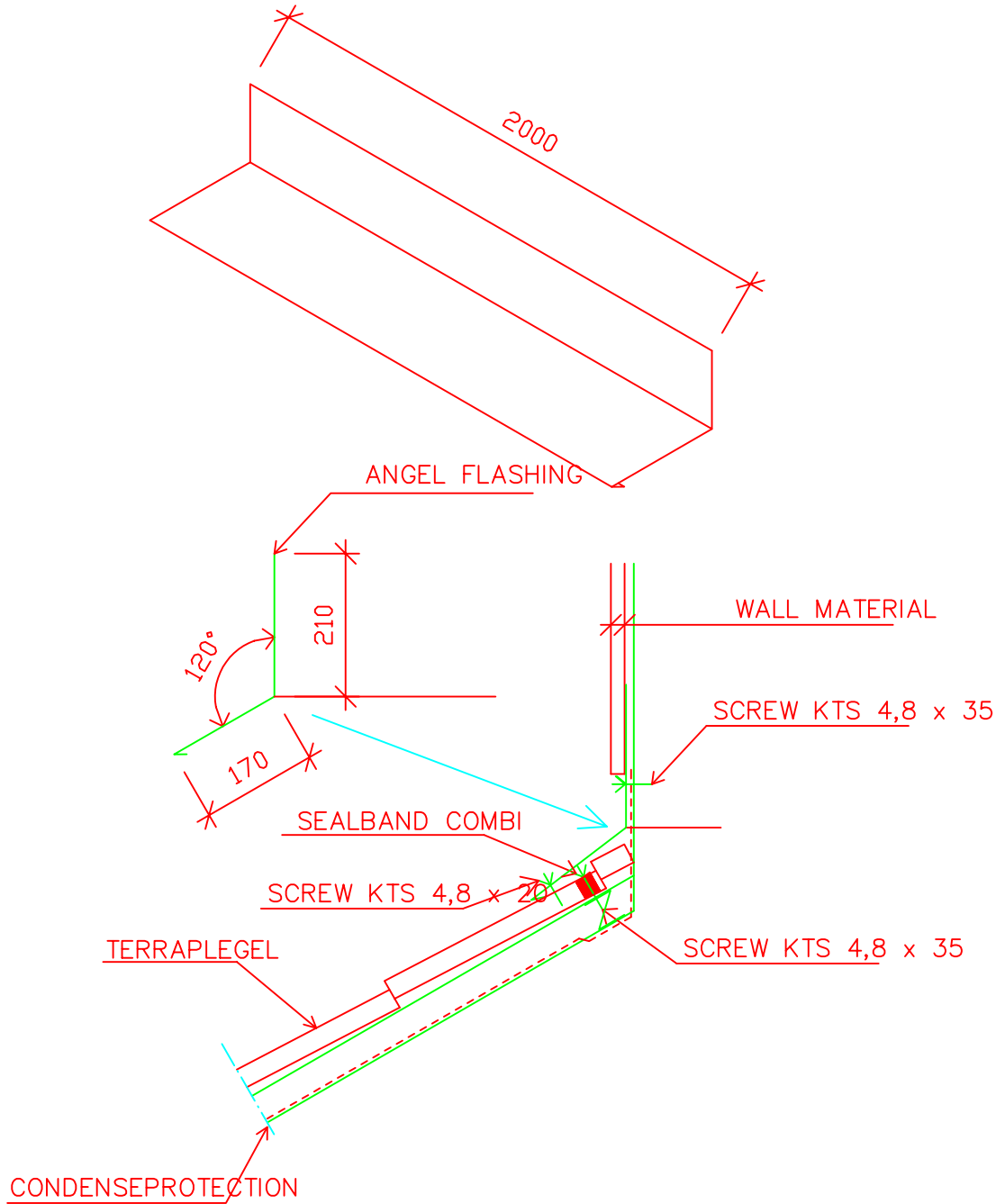


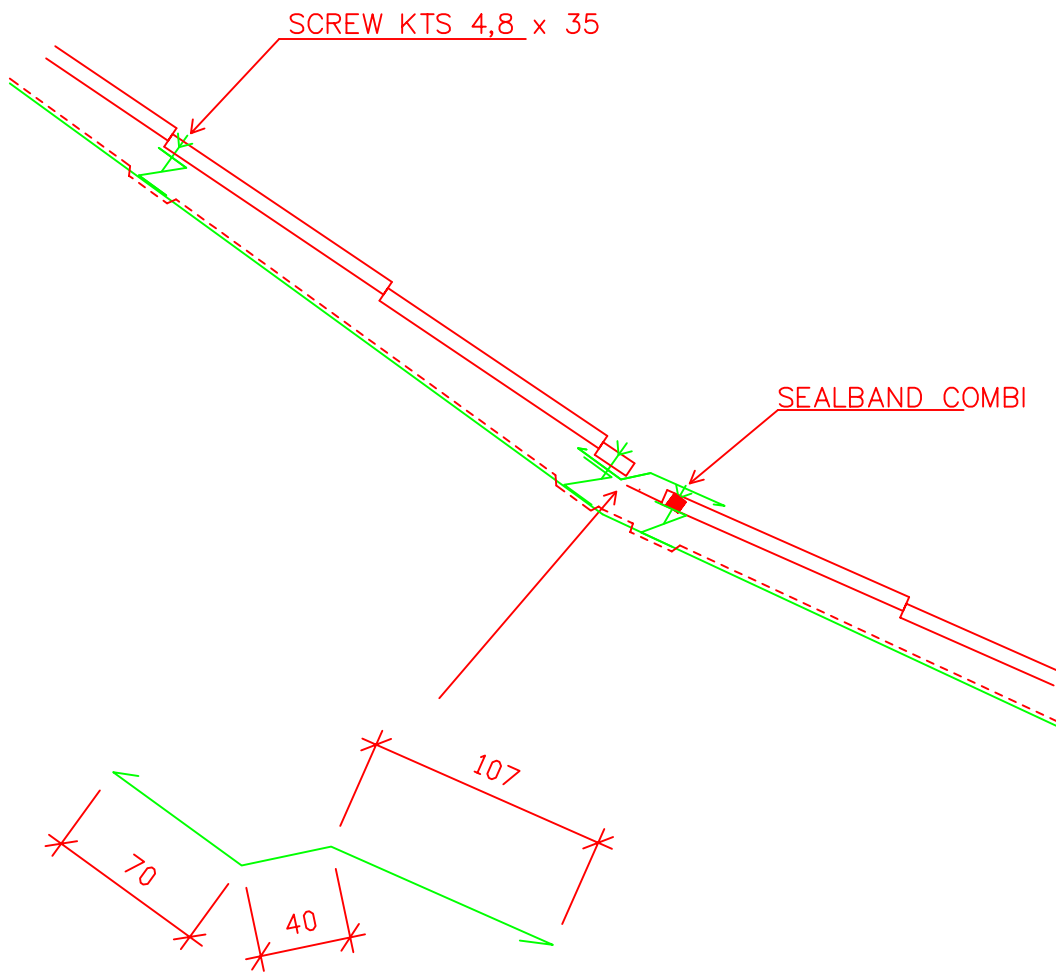




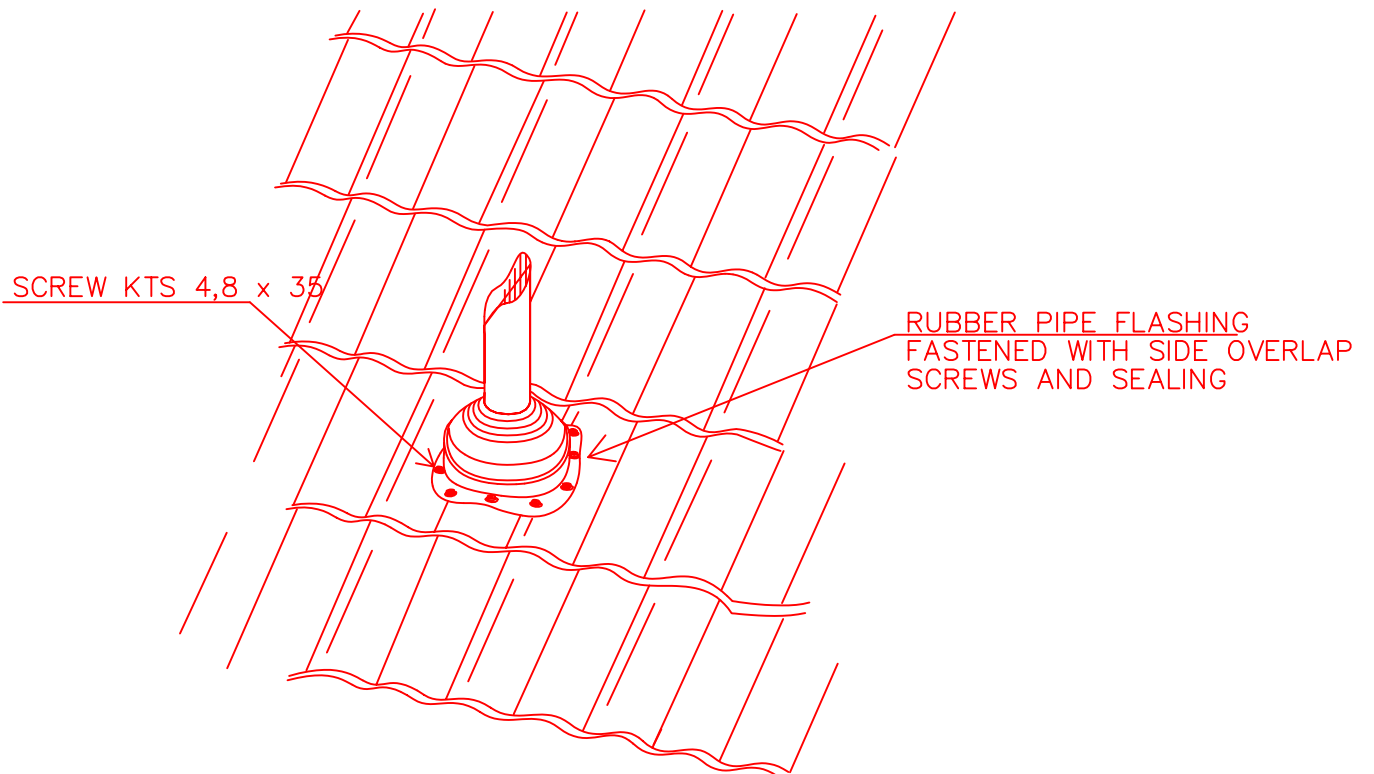




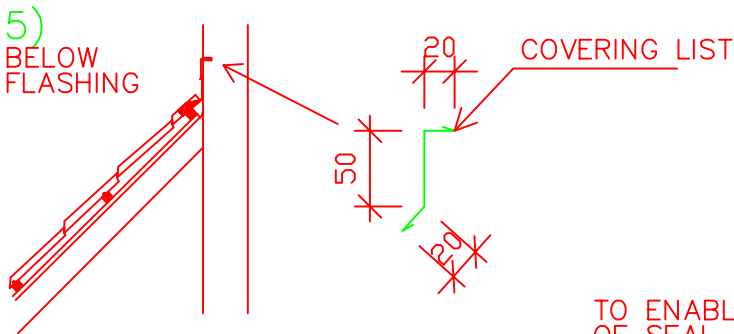
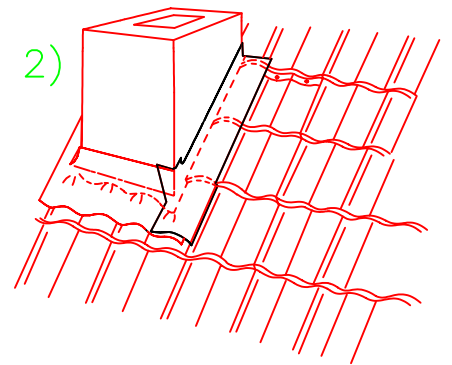
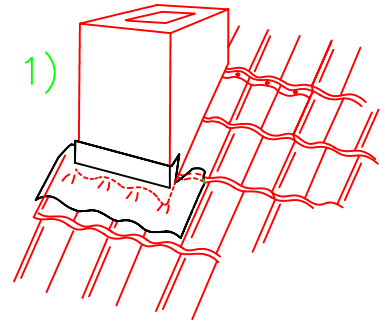
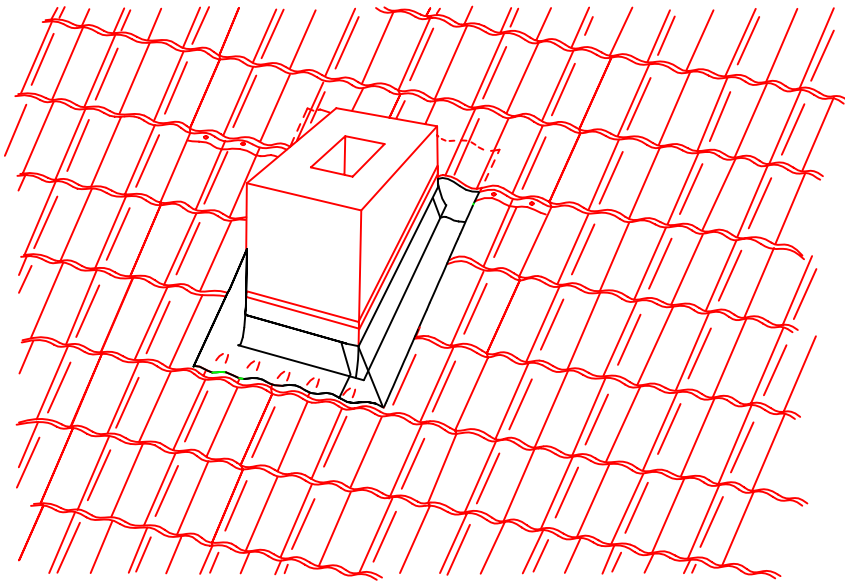




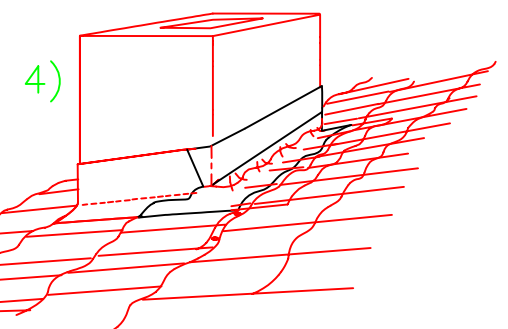
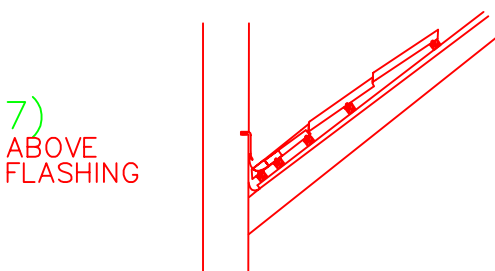
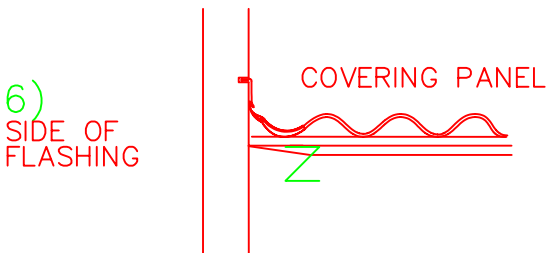
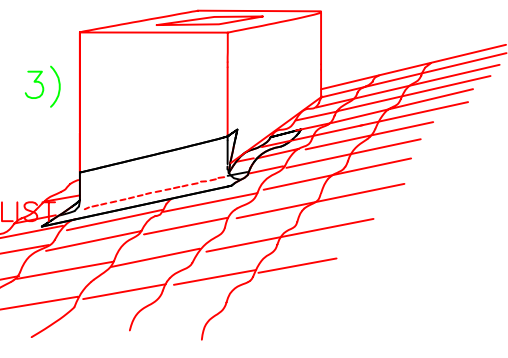
EAVEPLATE SPECIAL 36° / 25°

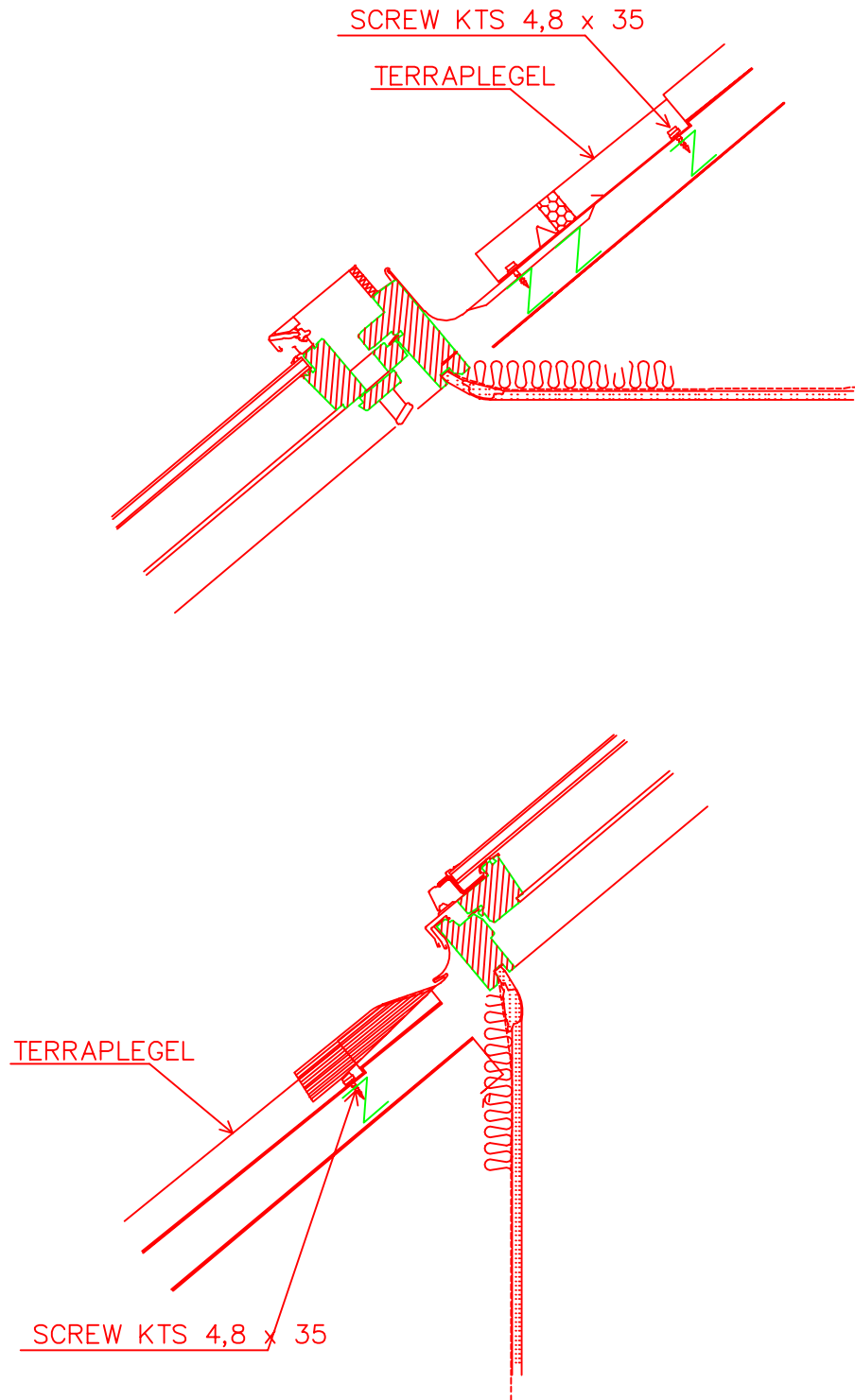


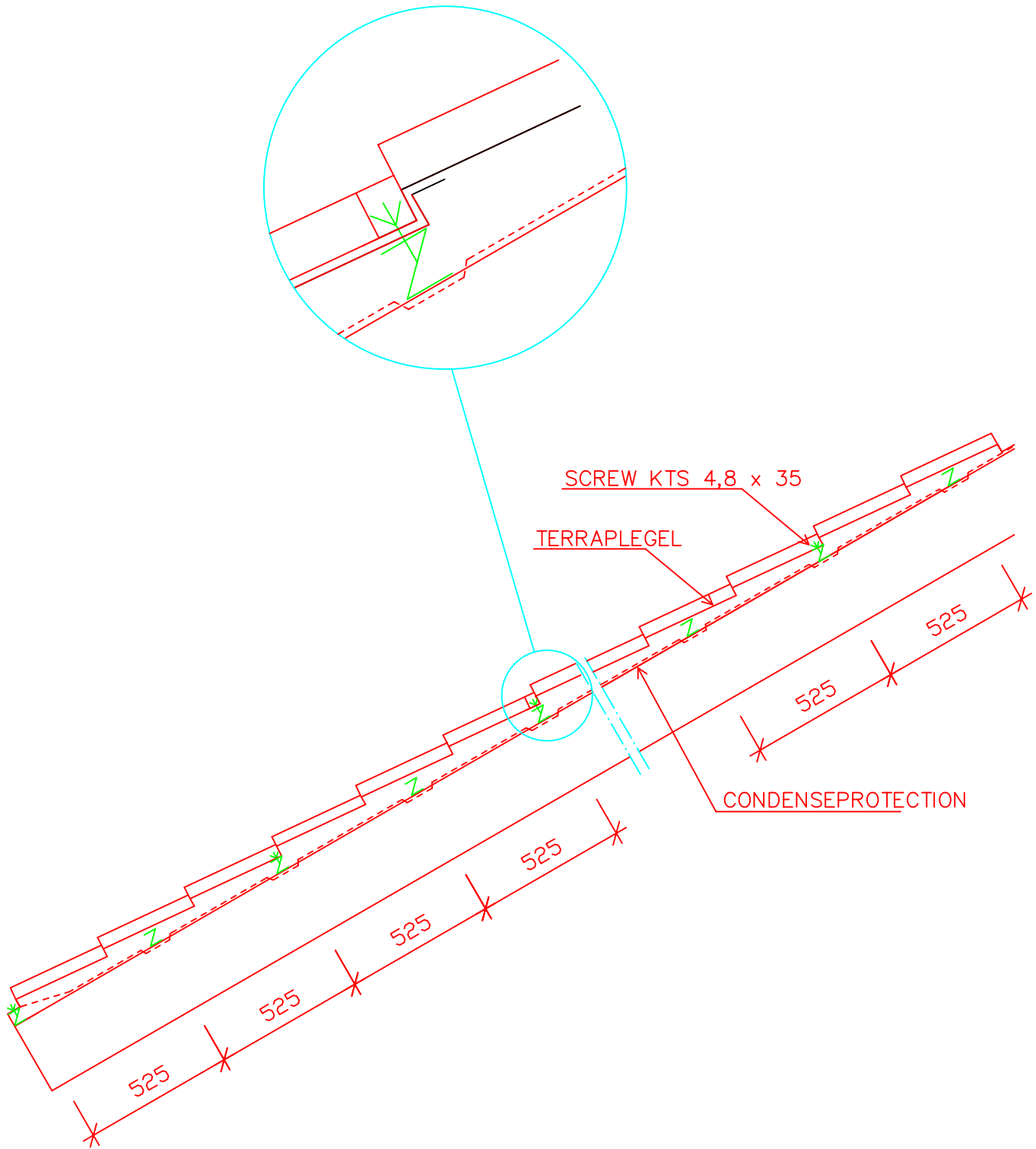
CHIMNEY FLASHING WATERPROOFING WITH SEAL-TITE

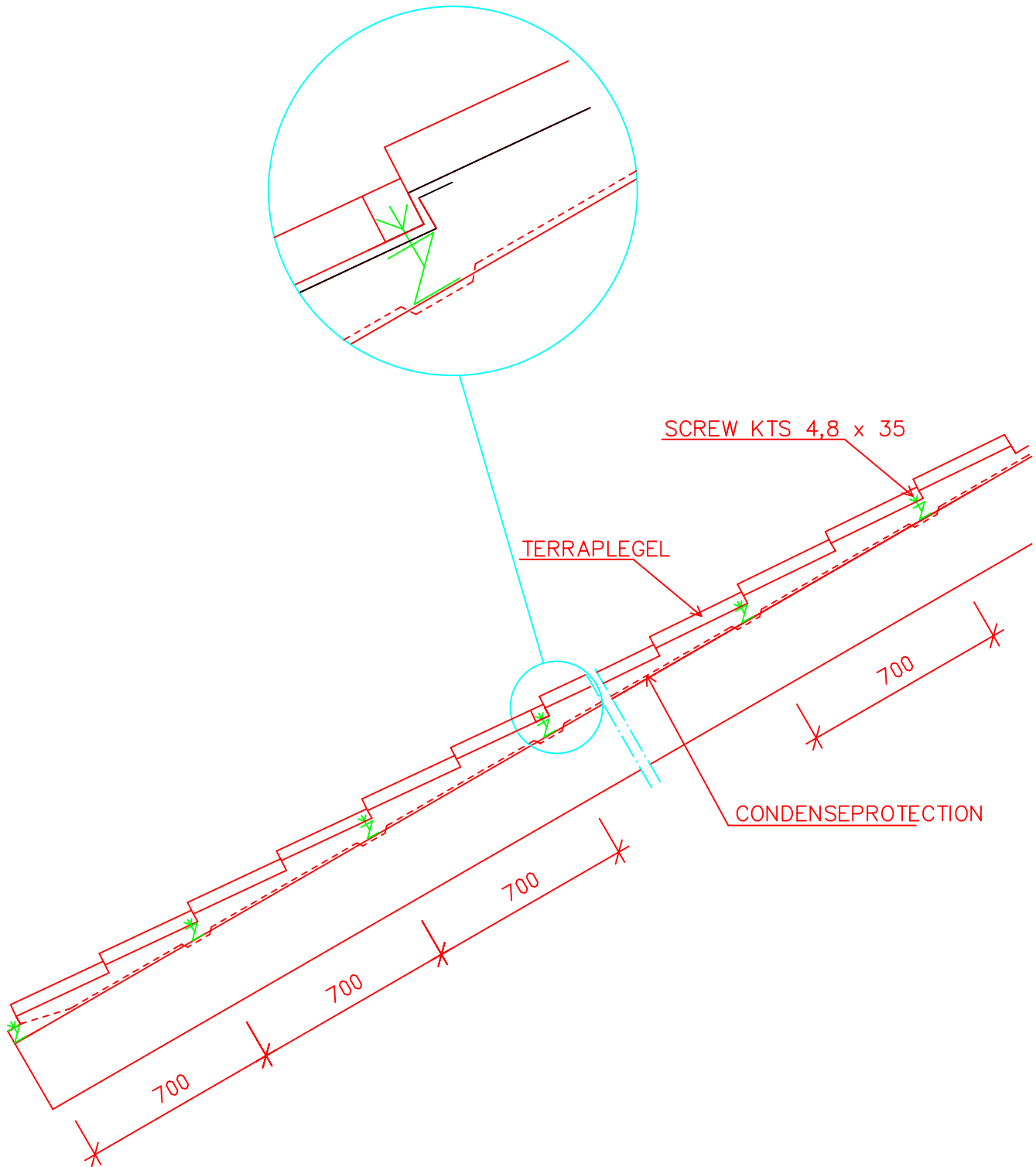


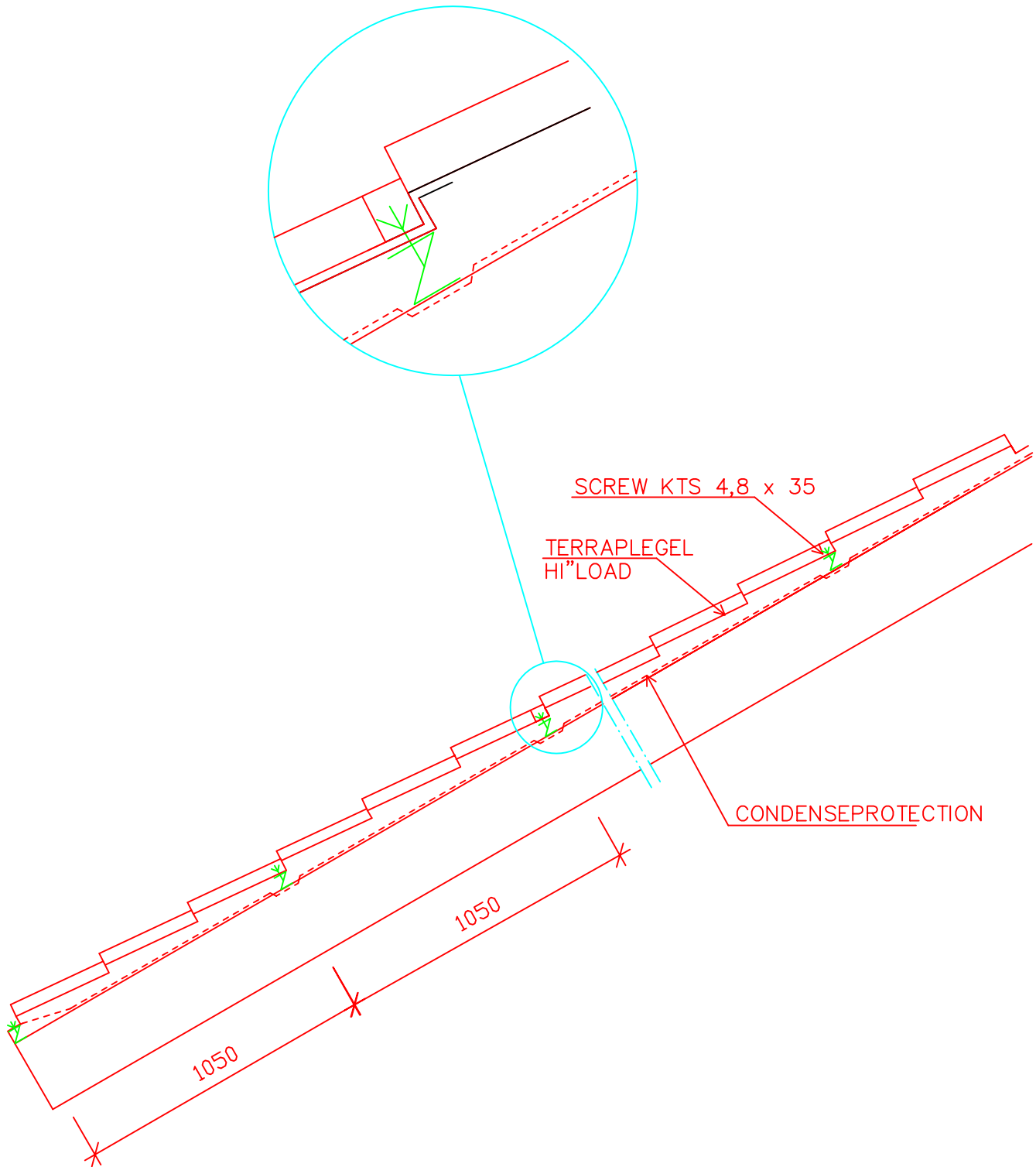
TO ENABLE FASTENING OF SEAL-TITE THE SHEET MUST BE JOINTED AT THE UPPER EDGE OF THE CHIMNEY. AFTER THAT YOU SHOULD PROCEED AS SHOWN IN FIG 1-4 AND FINALLY A COVERING LIST SHOULD BE PLACED AROUND THE WHOLE FLASHING. FIG 5-7.

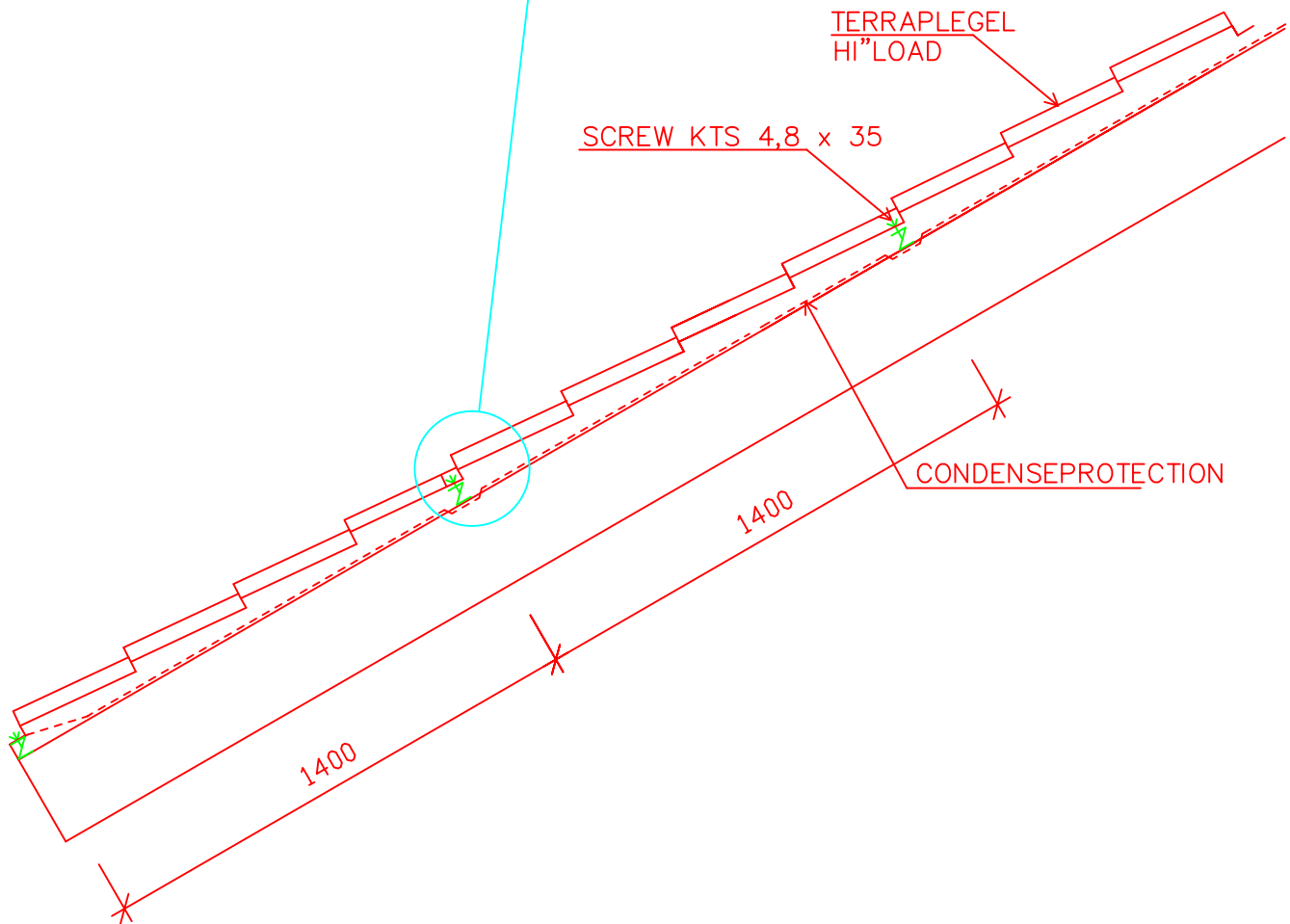
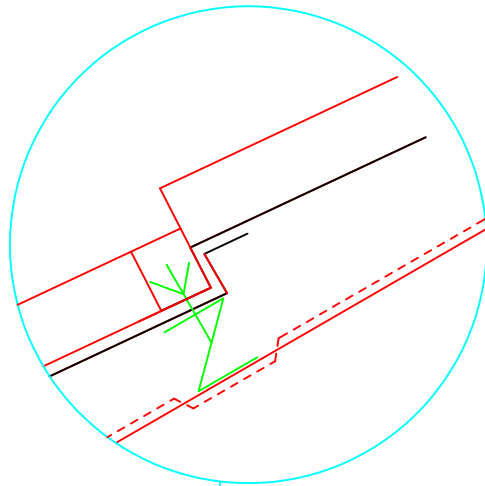


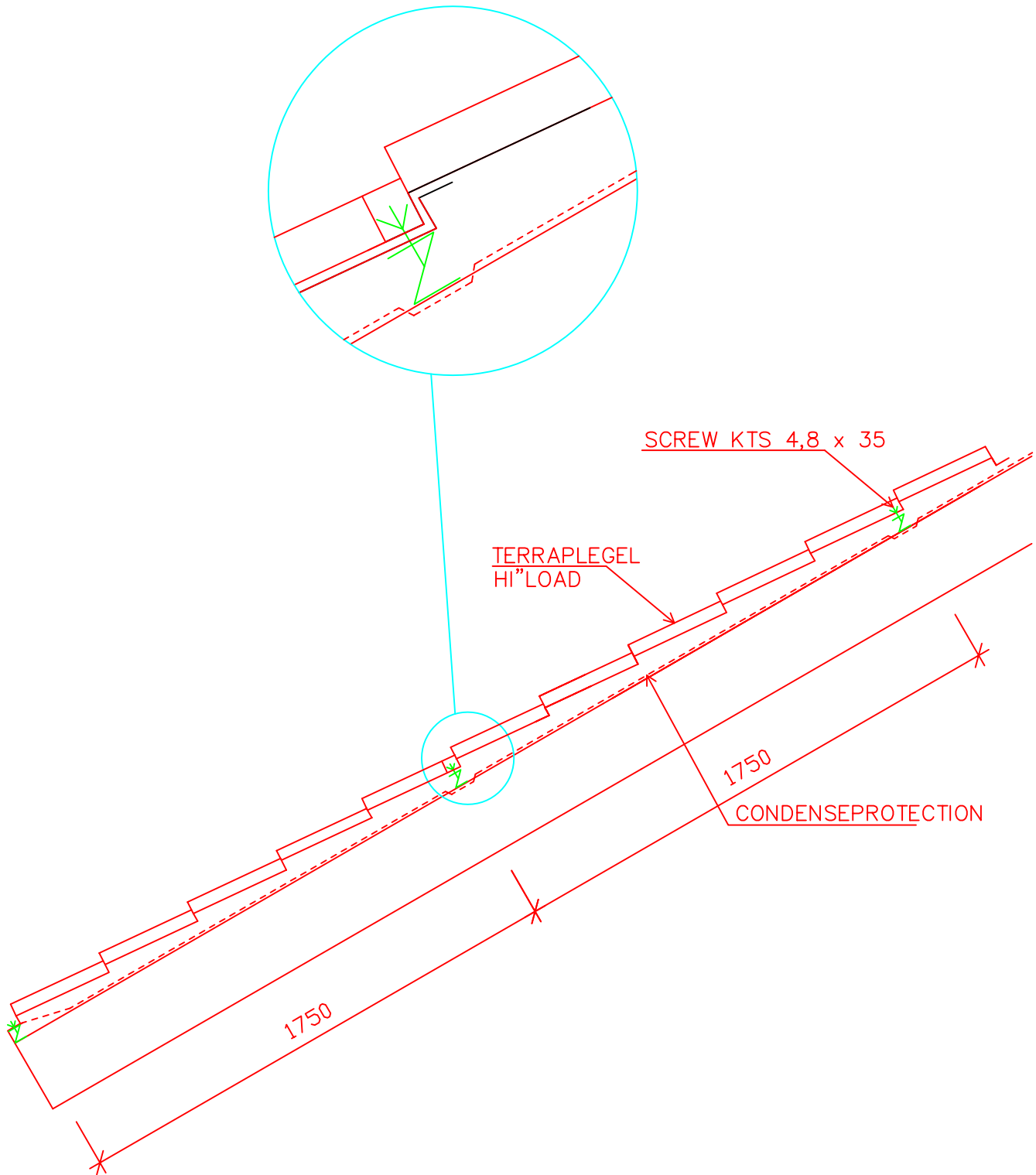


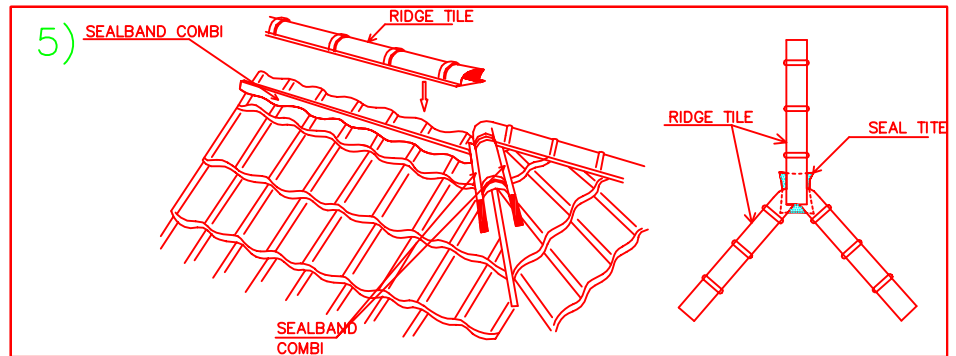
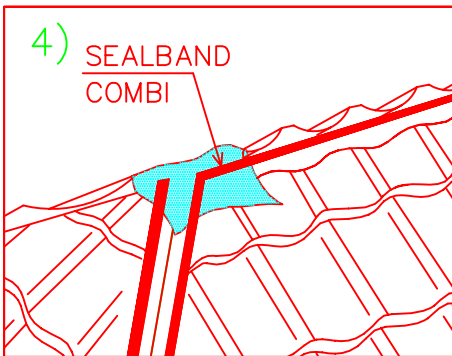
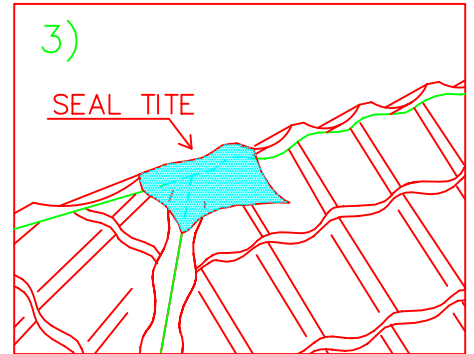
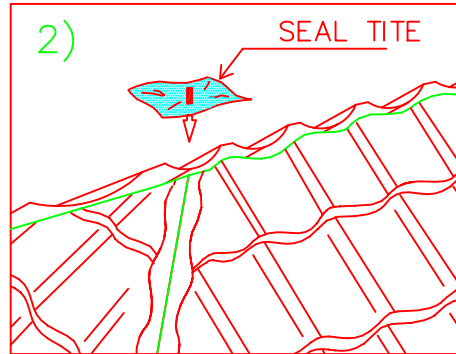
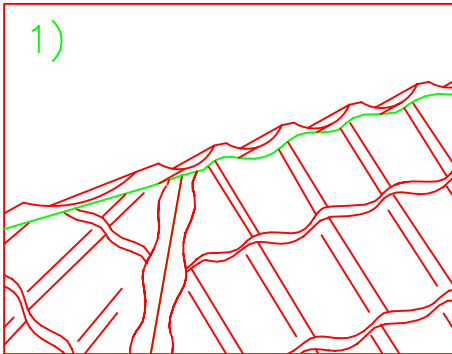


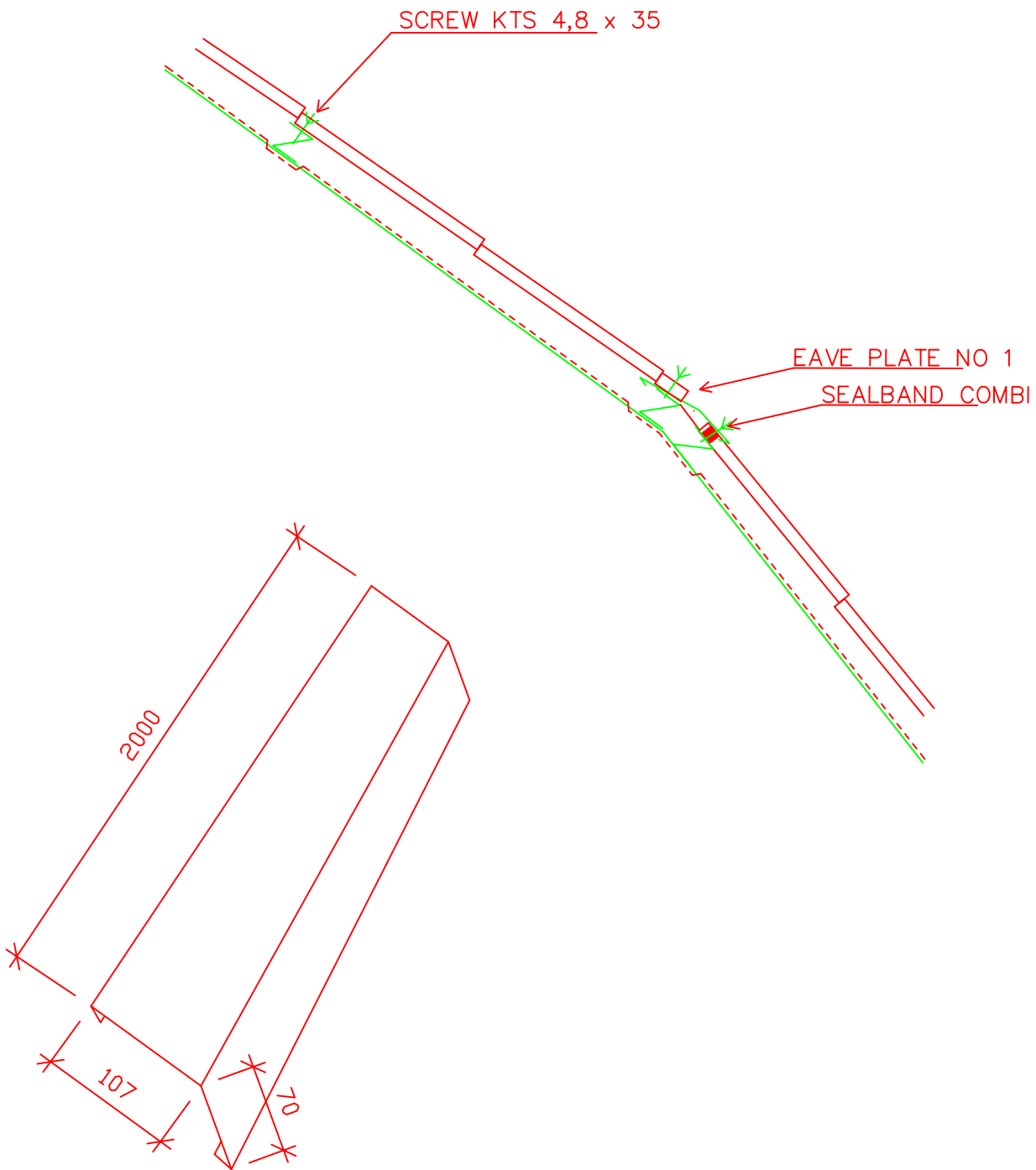












EAVE PLATE NO 1